

● Cord Contact Filtration Material for Bio-film Treatment

用于生物膜处理的绳状接触材料

Biocord

生物绳



PV-45

PP-45

K-45

PP+K-45

Characteristics 特点

1. Fine fiber was made up of chenille to attach a larger quantity of microorganisms as efficiently as possible, and the cord biomass carrier design eliminates the possibility of the cord clogging.
2. The effective porosity is more than 99%, which allows many different kinds of microorganisms to live and multiply, and high quality of treated water is gained. Therefore, bio-cord can makes the food chain longer and produces less excess sludge.
3. Microorganisms easily attach to and fall out bio-cord, the microorganisms are always kept fresh.
4. As synthetic fiber is used, it is excellent in endurance.
5. As it is corded, it can be set up in anywhere.
6. As it is corded and does not effect the water flow in the aeration tank, and improves efficiency of biological treatment.

1. 使用细纤维加工成环状,可以持续保持大量微生物,产品结构具有不易堵塞的特性。
2. 可以保持 99%以上的空隙率,使多种微生物能够同时生存,得到高标准处理水的同时,通过延长食物链降低污泥的产生率。
3. 由于污泥既容易附着也容易剥离,可以加速微生物的更新状态。
4. 使用了合成纤维,使产品具有优异的耐久性。
5. 本产品可加工成绳状或帘幕状,可以设置在任意场所。
6. 由于本产品成绳状或帘幕状,对曝气槽的水流不会产生阻碍,可以达到良好的生物处理效果。

Application 用途

- Functional enhancement of biological treatment for the wastewater from food and chemical industry
- Stability improvement of the activated sludge process and reduction excess sludge
- Low concentration wastewater treatment including plating
- Purification of rivers and lakes
- Tertiary treatment of stock-raising wastewater

- 用于强化食品或化工厂废水的生物处理能力
- 提高活性污泥处理的稳定性,同时有助于降低污泥的产生
- 用于电镀等行业低浓度废水的处理
- 河流,湖泊的水体净化
- 畜牧业废水的三级处理

Specification 规格

Format 型号	Color 颜色	Material 材料	specific surface area 比表面积	Application 用途	Specification length 规格长度
PV-45	Blue 蓝色	Polyvinylidene chloride	1.2 m ² /m	River purification, agricultural wastewater 河流净化,农业废水	100mX2/case (枚/箱)
PP-45	White 白色	Polypropylene	2.8 m ² /m	Low concentration wastewater treatment 低浓度废水处理	100mX2/case (枚/箱)
K-45	Green 绿色	Vinylon	0.5 m ² /m	BOD300~1000mg/l	100mX2/case (枚/箱)
PP+K-45	White and Green 白绿色	Polypropylene + Vinylon	1.6 m ² /m	BOD20~300mg/l	100mX2/case (枚/箱)

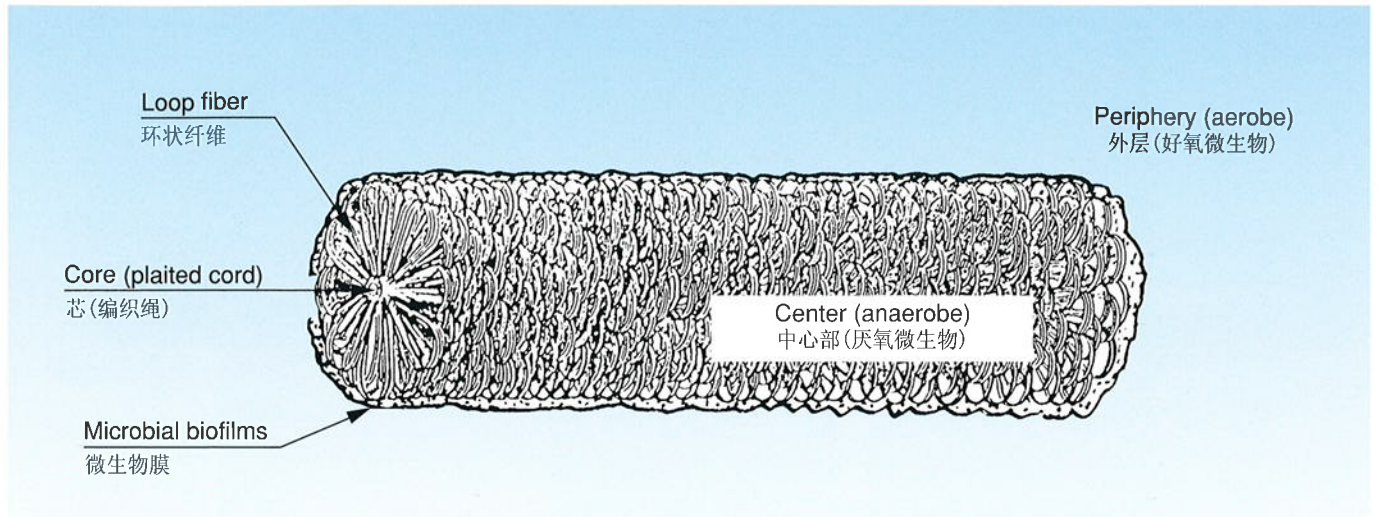
※We will fabricate the product so that it will be easily set up in a tank. Your request is welcome.

※The specification is subject to change without prior notice owing to manufacturing circumstances. Your understanding is requested.

※同时也承接便于安装的加工,请联系商谈。

※根据生产状况,会出现没有事先通知就进行式样变更的情况,希望能够理解。

Biocord structure 生物绳的构造



Examples of using biocord 生物绳使用实例



Final disposal site leachate treatment facility
最终处理场 渗透水处理设施



Leachate treatment facility
Condition of attached sludge in the aeration tank
渗透水处理设施 硝化槽污泥附着状态



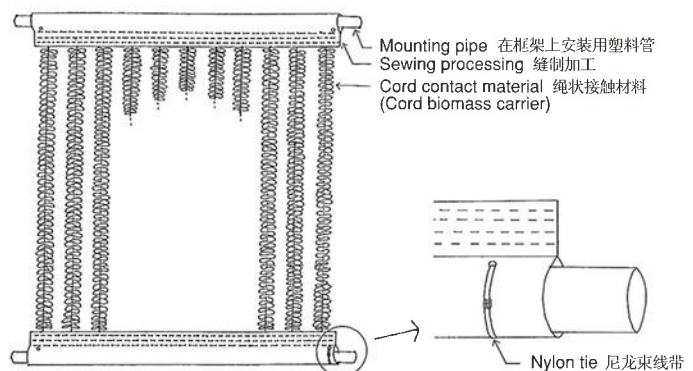
Example of setup in a rectangular tank
方形处理槽设置例

Bio-cord sewn product design

生物绳缝制加工图



Example of setup in a round tank
圆形处理槽设置例

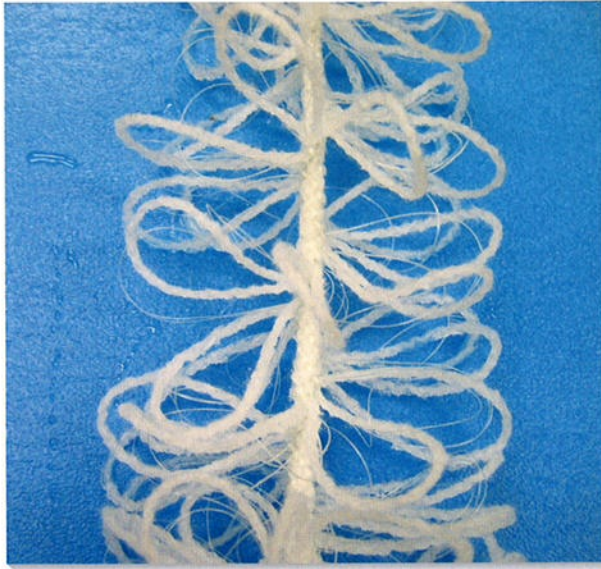


Lead nylon tie through the hole on both ends of the sewn product to fix the mounting bar and cloth.
束线带穿过生物绳缝制加工品上下两端的孔, 将缝制的布固定在安装棒上

● Contact material for high concentration wastewater
用于处理高浓度废水的接触材料

Biocord SP type

生物绳 SP 型



SP-100



Characteristics 特点

1. As rigid fiber is used, it can keep helical structure and aerobic condition up to the center of the contact filtration material.
2. Mixture of fine and thick fiber holds a larger quantity of microorganisms as efficiently as possible, and the contact material design eliminates the possibility of the cord clogging.
3. Microorganisms easily attach to and fall out bio-cord, the microorganisms are always kept fresh.
4. As synthetic fiber is used, it is excellent in endurance.

1. 通过使用有弹性的纤维材料,可以保持螺旋状结构,使过滤材料中心部也可以保持有氧状态。
2. 混合使用了粗细两种纤维,可以持续保持大量微生物,产品结构具有不易堵塞的特性。
3. 由于污泥既容易附着也容易剥离,可以加速微生物的更新状态。
4. 使用了合成纤维,使产品具有优异的耐久性。

Application 用途

- Biological treatment for high concentration wastewater from food factory and plant
- Safety practice for high-load processing tank
- Tertiary treatment of stock-raising wastewater
- 食品工厂或化学工厂等的高浓度废水的生物处理
- 可用于高负荷处理槽
- 畜牧业废水的三级处理

Specification 规格

Format 型号	Color 颜色	Material 材料	Specification length 规格长度
SP-100	White 白色	Vinyon + Polypropylenen	100m×2/case (箱)

※ We will fabricate the product so that it will be easily set up in a tank. Your request is welcome.
 ※ The specification is subject to change without prior notice owing to manufacturing circumstances. Your understanding is requested.
 ※ 同时也承接便于安装的加工, 请联系商谈。
 ※ 根据生产状况, 会出现没有事先通知就进行式样变更的情况, 希望能够理解。



● Bio-filtration material /cord contact material
生物过滤用材料 · 绳状接触材(生物绳)

Biocord MK type

生物绳 MK 型

MK-N35



MK-PP35



MK-N50



MK-PP50



Characteristics 特点

- As it uses rigid fiber, filter material is difficult to deform, so it can be maintained the biggest space for the habitat of bacteria and protozoan. It can also be used as bio-filtration material.
 - As irregular fiber is used, it can improve the microbial adhesion. That produces less sludge and improves the removal ability of refractory organic compounds.
 - Bio-cord improves the performance of SS (suspended solids) adhesion, and the longer food chain can be used to contribute for self-purification.
 - As synthetic fiber is used, it is excellent in endurance.
- 由于使用了刚性纤维,使产品不易变形,最大限度的保持了空隙,给微生物或原生动物提供了最适合的「住处」。可以作为生物过滤材料来使用。
 - 通过使用变形纤维材料,增强了微生物的附着能力。因此,减少污泥产生的同时,可以提高难分解有机物的处理能力。
 - 可以增强捕捉 SS 的能力,最大限度的发挥食物链的作用,为自然净化作出贡献。
 - 使用合成纤维使产品具有优异的耐久性。

Application 用途

- Purification of rivers, lakes and dams
 - Fish farming
 - Filter material for aquarium
 - Anaerobic tank for microbial adhesion
 - Wastewater treatment
- 河流·湖泊·水坝的净化
 - 渔业养殖
 - 观赏鱼水槽的过滤材料
 - 微生物附着困难的厌氧槽等
 - 废水处理

Specification 规格

Format 型号	Color 颜色	Material 材料	Specification length 规格长度
MK-N35	Green 绿色	Nylon + Polypropylene	100m × 2/case (枚/箱)
MK-N50	Green 绿色	Nylon + Polypropylene	50m × 2/case (枚/箱)
MK-PP35	White 白色	Polypropylene	100m × 2/case (枚/箱)
MK-PP50	White 白色	Polypropylene	50m × 2/case (枚/箱)

※We will fabricate the product so that it will be easily set up in a tank. Your request is welcome.
 ※The specification is subject to change without prior notice owing to manufacturing circumstances. Your understanding is requested.
 ※同时也承接便于安装的加工, 请联系商谈。
 ※根据生产状况, 会出现没有事先通知就进行式样变更的情况, 希望能够理解。